

All stainless steel pressure gauges with capsule element

Nominal size ND 100 and 160
Accuracy class 1.6

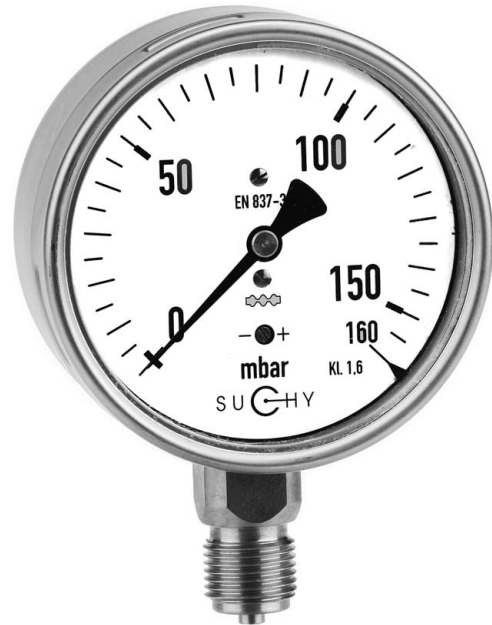
according to DIN EN 837-3

Features

- High reliability and long service life
- Overload protection ,up to x 10
- Zero adjustment
- Copper alloy measuring system

Applications

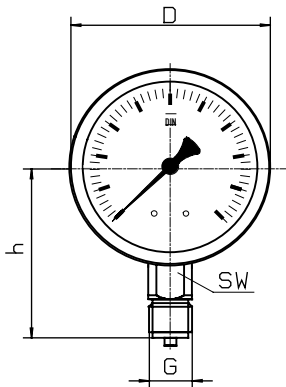
- Pharmaceutical industry
- filter status monitoring
- furnace monitoring
- air-conditioning
- vacuum measurements and laboratory applications
- leakage tests, filter and status monitoring,



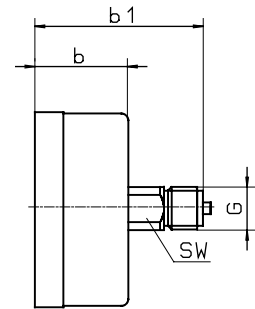
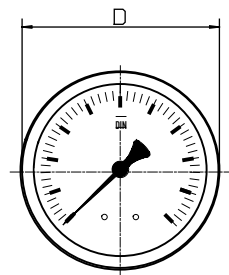
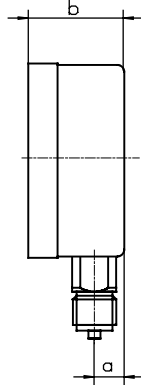
| Models and ND | MK-30 100 | MK-34 100 | MK-30 160 | MK-34 160 |
|---------------------|---|--------------|-----------|--------------|
| Connection | bottom | back,centric | bottom | back,centric |
| Ranges in mbar | 0...4, 6, 10, 16, 25, 40, 60, 100, 160, 250, 400, 600 -4 / 0, -6 / 0, -10 / 0, -16 / 0, -25 / 0, -40 / 0, -60 / 0, -100 / 0, -160 / 0, -250 / 0, -400 / 0, -600 several other ranges (-100..+150) a. o. | | | |
| Applications | Constant load : up to full scale value Alternating load : up to 0,9 x full scale value short-time :overload capacity 1.3 x | | | |
| Case | stainless steel 1.4301 | | | |
| Bezel | stainless steel 1.4301 | | | |
| Window | Laminated safety glass | | | |
| Dial | Aluminium white, scale and imprint black | | | |
| Pointer | Aluminium, black | | | |
| Movement | Stainless steel | | | |
| Measuring element | Stainless steel 1,4571 | | | |
| Pressure connection | SW 22, Stainless steel 1.4571 | | | |
| Connectionthread | G 1/2 B | | | |
| Protection | IP 54 to EN 60529 / IEC 529 | | | |
| Temperature | Medium: -20°C bis 80°C, ambient -25°C bis 60°C | | | |
| Weight | 0,6 kg | | 1,0 kg | |

Dimensions

Connection bottom



Connection back , centric

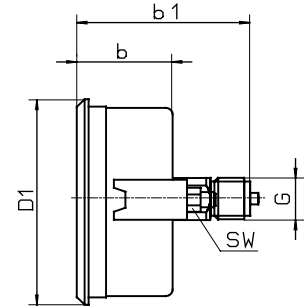
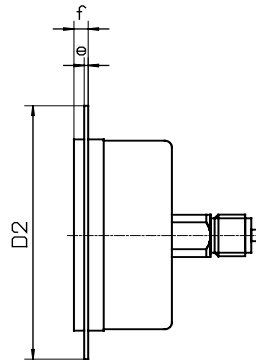
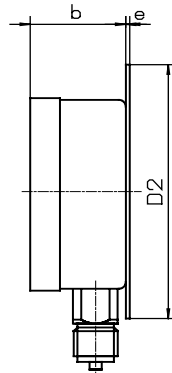
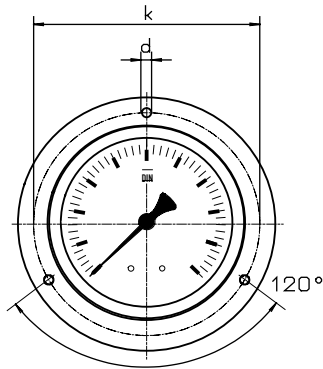


Front flange

Rear flange

Front flange

with triangle bezel and U-clamp,



| Dimensions in mm | | | | | | | | | | | | | | |
|------------------|-----|-----|----|----|----|-----|-----|-----|---|---|-----|-----|----|---------|
| Model | NG | D | a | b | b1 | h | D1 | D2 | e | f | k | d | sw | G |
| MK-30 | 100 | 101 | 15 | 49 | - | 86 | 107 | 132 | 2 | 6 | 116 | 5 | 22 | G 1/2 B |
| MK-34 | 100 | 101 | - | 49 | 85 | - | 107 | 132 | 2 | 6 | 116 | 5 | 22 | G 1/2 B |
| MK-30 | 160 | 160 | 15 | 51 | - | 118 | - | 196 | 3 | 8 | 178 | 5,6 | 22 | G 1/2 B |
| MK-34 | 160 | 160 | - | 51 | 86 | - | 166 | 196 | 3 | 8 | 178 | 5,6 | 22 | G 1/2 B |

Modelspecification

